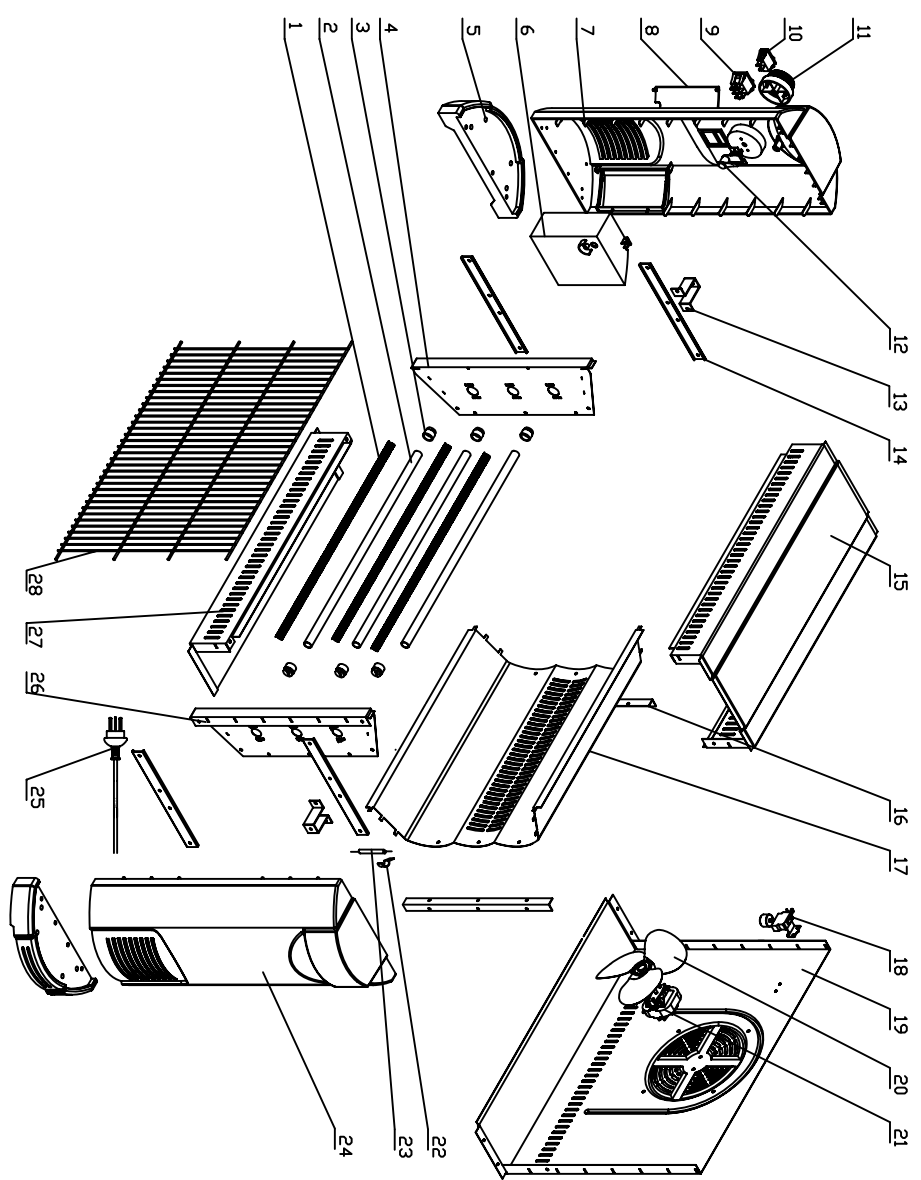


尺寸分段	0.5-3	3-6	6-30	30-120	120-400
mm	±0.1	±0.1	±0.2	±0.3	±0.5



28	Grill net	Q11	1	喷涂
27	down board	stainless steel	1	
26	supporter of reflector	pvc	1	
25	power cord	PP	1	
24	right shell	182°C	1	
23	thermal fuse	COP MATERIAL	1	
22	safety slip		1	
21	motor	Ø150	1	
20	blade		1	喷涂
19	back shell	15A, 250VAC	1	
18	safety switch	stainless steel	1	
17	reflector	zinc-coated steel plate	1	喷涂
16	fixer of reflector	zinc-coated steel plate	2	
15	top cover	zinc-coated steel plate	1	喷涂
14	down Bracket	zinc-coated steel plate	4	
13	up Bracket	zinc-coated steel plate	2	
12	adjustable thermostat	AMS	1	
11	knob of thermostat		1	
10	single switch		1	
9	double switch		1	
8	the cover of wire box	PP	1	
7	left shell	PP	1	
6	wire box (inner)	PP	1	
5	supporter	PP	2	
4	left Bracket of reflector	stainless steel	1	
3	ceramic for tube	ceramic	6	
2	tube	quartz	3	
1	heating element	240V/800W	3	
NO.	ITEM NO.	MATERIAL	QUANTITY	备注

材料:			
标记	处数	分区	更改文件号
设计	设计	设计	设计
审核	审核	审核	审核
工艺	工艺	工艺	工艺

文件编号  
Q/E0312151  
版本号  
A0  
底图总号  
底图总号  
签  
字  
日期  
2003-12-14

阶段	标记	重量	比例
共	张	第	张
EXPLODED VIEW			
YIXIONG ELECTRICAL APPLANCE CO. LTD			
NGF-24B, 00.00, BZ			